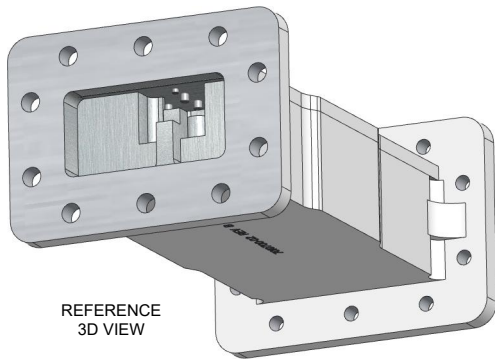
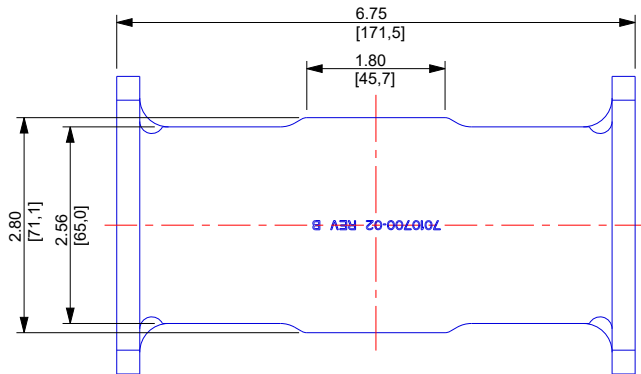
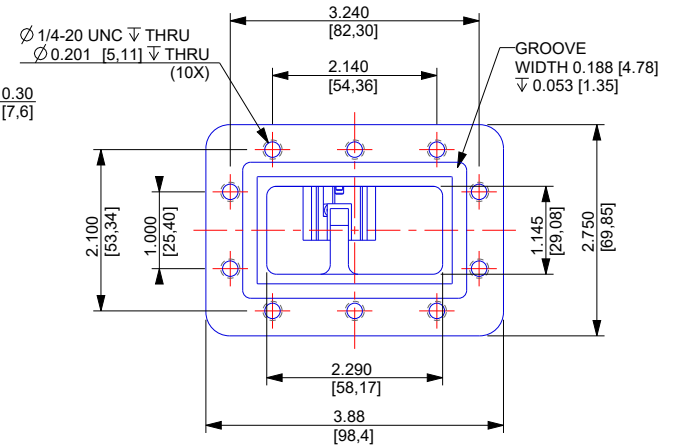
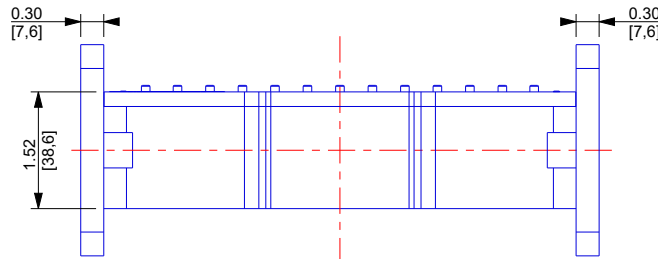
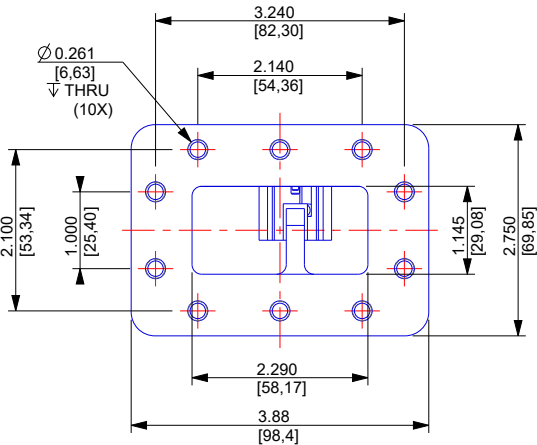
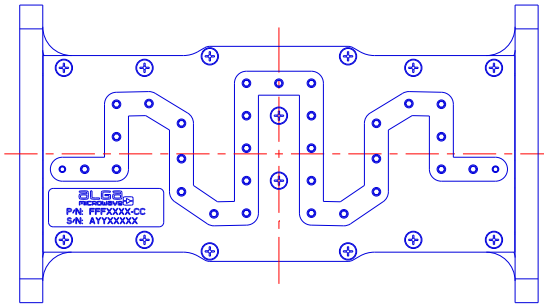
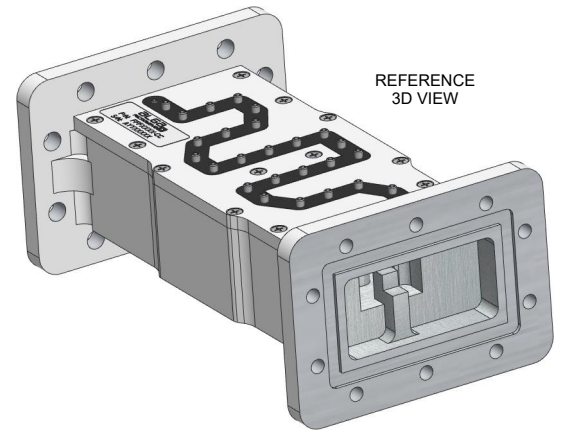


THIS INFORMATION DISCLOSED HEREIN WAS ORIGINATED BY AND IS THE PROPERTY OF ALGA MICROWAVE AND IS LOANED TO YOU EXPRESSLY GRANTED TO A RESEARCH PARTY. ALGA MICROWAVE RESERVES ALL PATENT, PROPRIETARY, DESIGN, USE, TRADE MANUFACTURING AND REPRODUCTION RIGHTS THEREON. THIS DOES NOT APPLY TO ANY VENDOR PARTS.

REVISIONS			
REV	E.C.N.	DATE	APPROVED
A	INITIAL RELEASE	Oct 29, 2018	M.B.
B	ECN-18-0083	Nov 27, 2018	M.B.
C	ECN-19-0062	Aug 14, 2019	M.B.
D	ECN-20-0008	Feb 26, 2020	P.B.

ELECTRICAL PROPERTIES		
GROUP G FILTER	PASSBAND	3900 - 4200 MHz
	GROUP DELAY VARIATION	1.45 nSec MAX Within ±0.5 MHz
	INSERTION LOSS	1.3 dB MAX
	REJECTION	50 dB MIN AT 3880 MHz 25 dB MIN AT 4230 MHz
GROUP H FILTER	PASSBAND	3780 - 4200 MHz
	GROUP DELAY VARIATION	1.45 nSec MAX Within ±0.5 MHz
	INSERTION LOSS	1.3 dB MAX
	REJECTION	60 dB MIN AT 3760 MHz 25 dB MIN AT 4230 MHz
GROUP I FILTER	PASSBAND	3820 - 4200 MHz
	GROUP DELAY VARIATION	1.45 nSec MAX Within ±0.5 MHz
	INSERTION LOSS	1.3 dB MAX
	REJECTION	70 dB MIN BELOW 3700 MHz 60 dB MIN AT 3800 MHz 50 dB MIN AT 3803 MHz (temp drift) 25 dB MIN ABOVE 4230 MHz
	RETURN LOSS	20 dB MIN

MECHANICAL PROPERTIES	
INTERFACES	FLANGE: UDR40 CPR-229 FLAT FLANGE: PDR40 CPR-229 GROOVED
MATERIAL	ALUMINUM 6061
FINISH	FLANGES: CHEMICAL CONVERSION WAVEGUIDE: SILVER PLATE EXTERIOR: MATTE WHITE PAINT
WEIGHT	2.2 Lbs [998g]
ENVIRONMENTAL PROPERTIES	
OPERATING TEMP	0°C TO +50°C



INCH [MILLIMETER]

UNLESS OTHERWISE SPECIFIED DIMENSIONS ARE IN INCHES
TOLERANCES AS PER DECIMALS
X ±0.01 XXXX ±0.001
XX ±0.005 XXXXX ±0.0005
XXX ±0.002 DEGREES ±0° 30'
DO NOT SCALE DRAWING

FORMAT SIZE:
A

18715 Boul. Hymus, Kirkland
Quebec, H3H 5M8, CANADA
Tel. 514-694-8666
FAX 514-694-3615
www.alga.ca & www.milcoval.com



DRAWN: MBourgoin	DATE: Oct 29, 2018	TITLE: Filter 4GHz WR229 Group G H I
CHECKED: P.B.	DATE:	PART NUMBER: 2100318-02-X
ENGINEERED: M.B. / P.B.	DATE:	DRAWING NUMBER:
APPROVED: P.B.	DATE:	CAGE CODE: SCALE: 0.400 SHEET: 1 OF 1