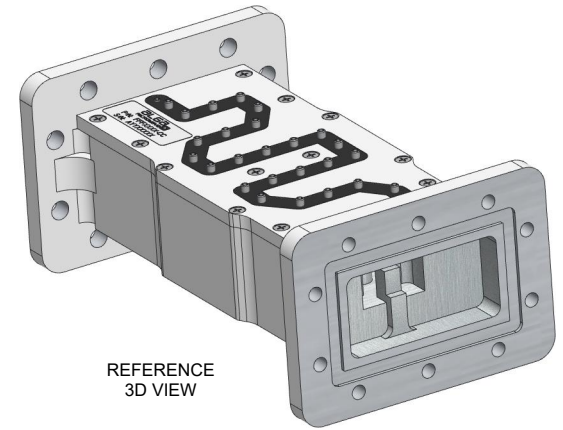


THIS INFORMATION DISCLOSED HEREIN WAS ORIGINATED BY AND IS THE PROPERTY OF ALGA MICROWAVE AND CROFT FOR USE EXPRESSLY GRANTED TO A SECOND PARTY. ALGA MICROWAVE RESERVES ALL PATENT, PROPRIETARY, DESIGN, USE, TRADE MARKING AND REPRODUCTION RIGHTS THEREON. THIS DOES NOT APPLY TO ANY VENDOR PARTS.

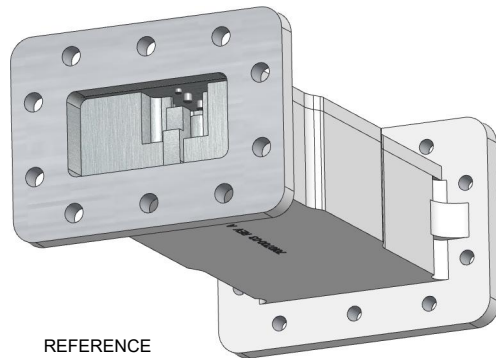
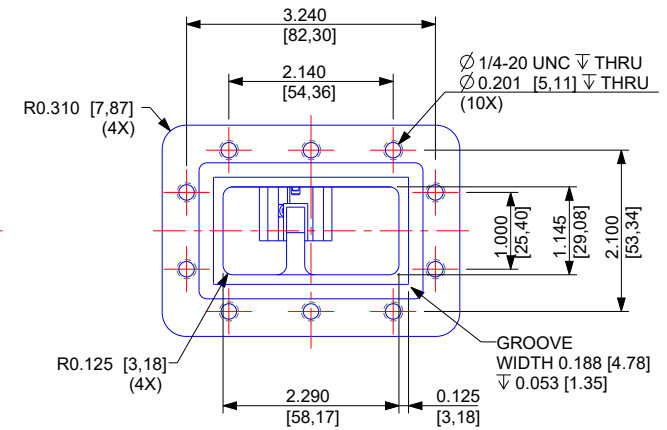
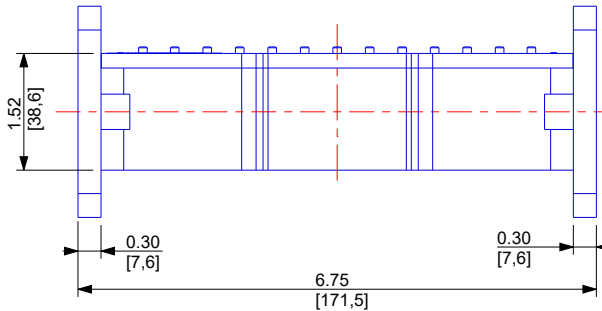
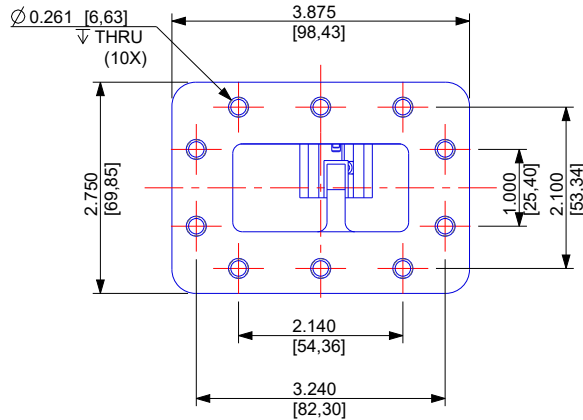
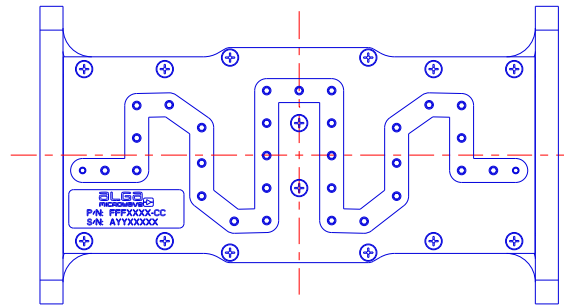
REVISIONS			
REV	E.C.N.	DATE	APPROVED
A	INITIAL RELEASE	Aug 16, 2019	M.B.
B	ECN-20-0008	Feb 26, 2020	P.B.

ELECTRICAL PROPERTIES	
GROUP J FILTER	PASSBAND 4020 - 4200 MHz
	GROUP DELAY VARIATION 1.45 nSec MAX Within ±0.5 MHz
	INSERTION LOSS 1.3 dB MAX
	REJECTION 60 dB MIN AT 4000 MHz 25 dB MIN AT 4230 MHz
	RETURN LOSS 19 dB MIN
GROUP K FILTER	PASSBAND 4000 - 4200 MHz
	GROUP DELAY VARIATION 1.45 nSec MAX Within ±0.5 MHz
	INSERTION LOSS 1.3 dB MAX
	REJECTION 70 dB MIN BELOW 3900 MHz 60 dB MIN AT 3980 MHz 50 dB MIN AT 3983MHz (temp drift) 25 dB MIN ABOVE 4230 MHz
	RETURN LOSS 20 dB MIN

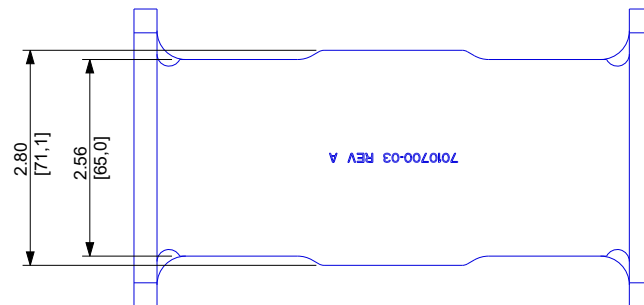
MECHANICAL PROPERTIES	
INTERFACES	FLANGE: UDR40 CPR-229 FLAT FLANGE: PDR40 CPR-229 GROOVED
MATERIAL	ALUMINUM 6061
FINISH	FLANGES: CHEMICAL CONVERSION WAVEGUIDE: SILVER PLATE EXTERIOR: MATTE WHITE PAINT
WEIGHT	2.2 Lbs [998g]
ENVIRONMENTAL PROPERTIES	
OPERATING TEMP	0°C TO +50°C



REFERENCE
3D VIEW



REFERENCE
3D VIEW



INCH [MILLIMETER]

UNLESS OTHERWISE SPECIFIED DIMENSIONS ARE IN INCHES		TOLERANCES AS PER DECIMALS X ±0.01 XXXX ±0.001 XX ±0.005 XXXXX ±0.0005 XXX ±0.002 DEGREES ±0° 30' DO NOT SCALE DRAWING		FORMAT SIZE: A	18715 Boul. Hymus, Kirkland Quebec, H3H 5M8, CANADA Tel. 514-694-8666 FAX 514-694-3615 www.alga.ca & www.milcrovat.com
DRAWN: M.Sobol	DATE: Aug 16, 2019	TITLE: Filter 4GHz WR229 Group J K			
CHECKED: M.B.	DATE:	PART NUMBER: 2100318-03-X			
ENGINEERED: M.B. / P.B.	DATE:	DRAWING NUMBER:	OD-2100318-03-X		
APPROVED: P.B.	DATE:	CAGE CODE:	SCALE: 0.400 SHEET: 1 OF 1		